

de Installationsanleitung

es Instrucciones de montaje

el Οδηγίες Εγκατάστασης

en Installation Instructions

pt Instruções de montagem

sk Návod na montáž

fr Instructions d'installation

sv Installationsanvisning

cs Montážní list

it Istruzioni di montaggio

fi Asennusohje

pl Instrukcja montażu

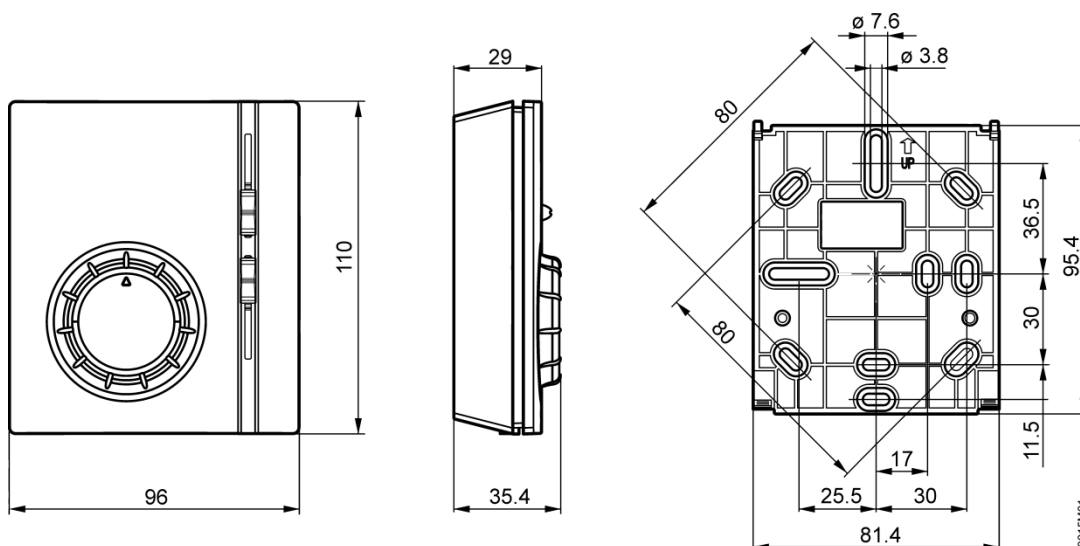
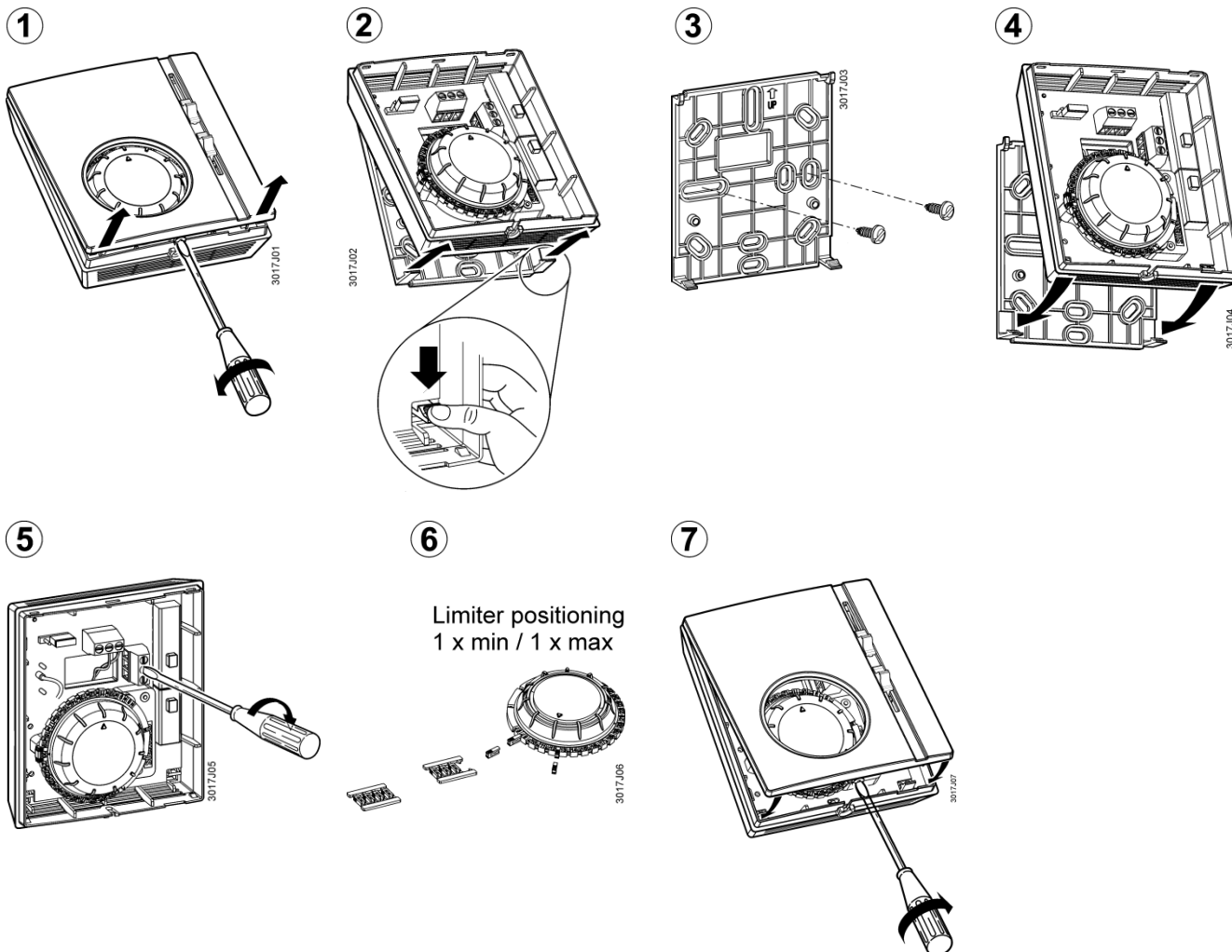
nl Installatie-aanwijzing

da Installationsvejledning

hu Telepítési leírás

zh 安装说明书

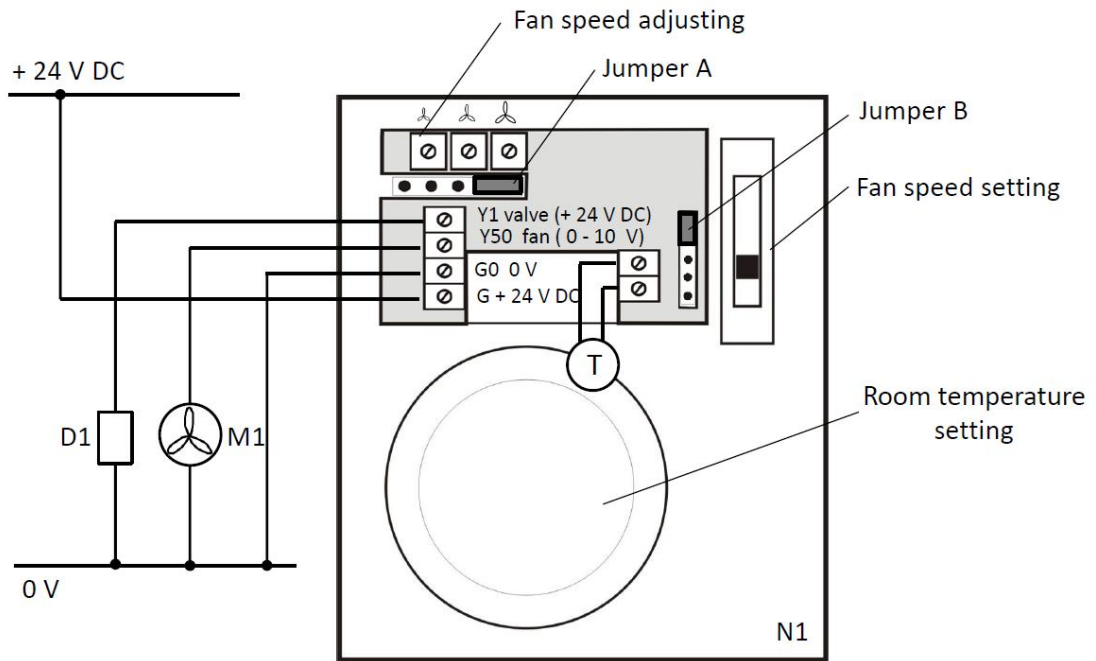
RAB21-DC



Dimensions in mm

Circuit diagram

RAB21-DC



G, G0 Supply voltage 24 V DC, G = + 24 V DC; G0 = 0 V

Y1 Terminal for valve actuator

Y50 Terminal for fan control signal 0 – 10 V DC

X Multifunctional input for temperature sensor (QAH11.1) or potential-free contact (changeover H/C)

M Measuring neutral for sensor or contact

D1 Zone valve or thermal actuator for heating or cooling; 24 V DC

M1 EMC fan with control signal 0 – 10 V DC

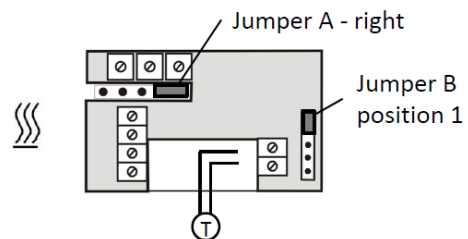
N1 Room thermostat RAB21-DC

T Temperature sensor QAH11.1

Operating mode settings

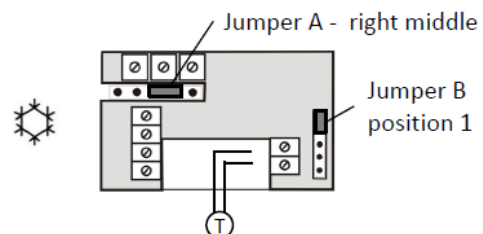
Heating:

Jumper A in a right position
Jumper B in position 1



Cooling:

Jumper A in a right middle position
Jumper B in position 1



Heating / cooling change over:

Jumper A in a left position
Jumper B in position 2

